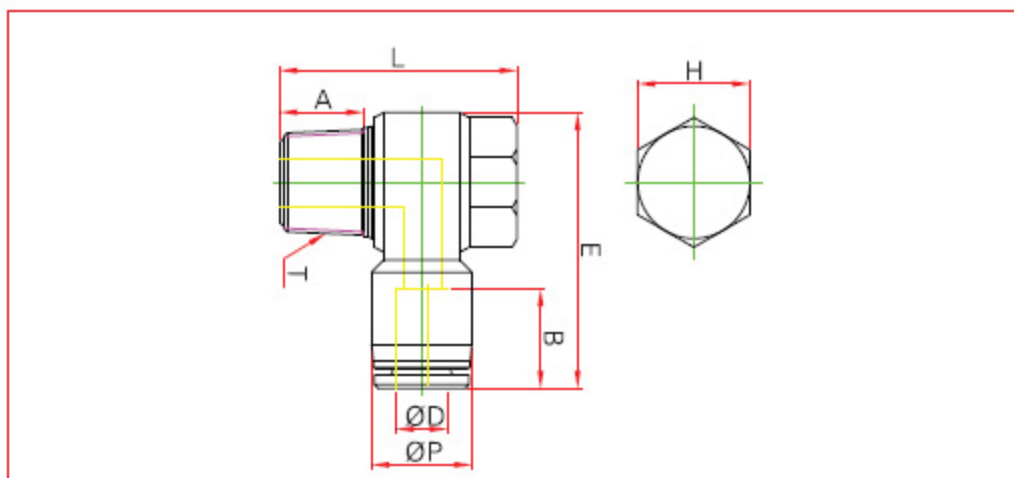


PH průtokové oko
s vnějším závitem



TYP	ØD	T (Závit)	E	L	A	B	H	ØP	d	PRŮTOK
PH-04-01	4	PT1/8	28	24	9	15	12	11	6.4	2.5
PH-04-02	4	PT1/4	31.5	27.3	11.6	15	14	11	8.5	2.5
PH-04-M5	4	M5×P0.8	24.8	21.2	4	15	8	11	2.5	2.5
PH-04-M6	4	M6×P1.0	24.8	22.2	5	15	8	11	2.5	2.5
PH-06-01	6	PT1/8	30	24	9	15	12	13	6.4	4
PH-06-02	6	PT1/4	33	27.3	11.6	15	14	13	8.5	4
PH-06-03	6	PT3/8	36.6	32	12.5	15	19	13	11.8	4
PH-06-M5	6	M5×P0.8	26.4	21.2	4	15	8	13	2.5	2.5
PH-06-M6	6	M6×P1.0	26.4	22.2	5	15	8	13	2.5	2.5
PH-08-01	8	PT1/8	30.3	24	9	18	12	14.4	6.4	4
PH-08-02	8	PT1/4	34.4	27.3	11.6	18	14	14.4	8.5	5
PH-08-03	8	PT3/8	39.7	32	12.5	18	19	14.4	11.8	5
PH-08-04	8	PT1/2	42.6	41	15.6	18	24	14.4	13	5
PH-10-01	10	PT1/8	37	24	9	22	12	18.4	6.4	4
PH-10-02	10	PT1/4	36.6	27.3	11.6	22	14	18.4	8.5	5
PH-10-03	10	PT3/8	40.2	32	12.5	22	19	18.4	11.8	8
PH-10-04	10	PT1/2	46	41	15.6	22	24	18.4	13	8
PH-12-02	12	PT1/4	37.5	27.3	11.6	22	14	21	6.5	5
PH-12-03	12	PT3/8	41	32	12.5	22	19	21	11.8	8
PH-12-04	12	PT1/2	48.4	41	15.6	22	24	21	13	10