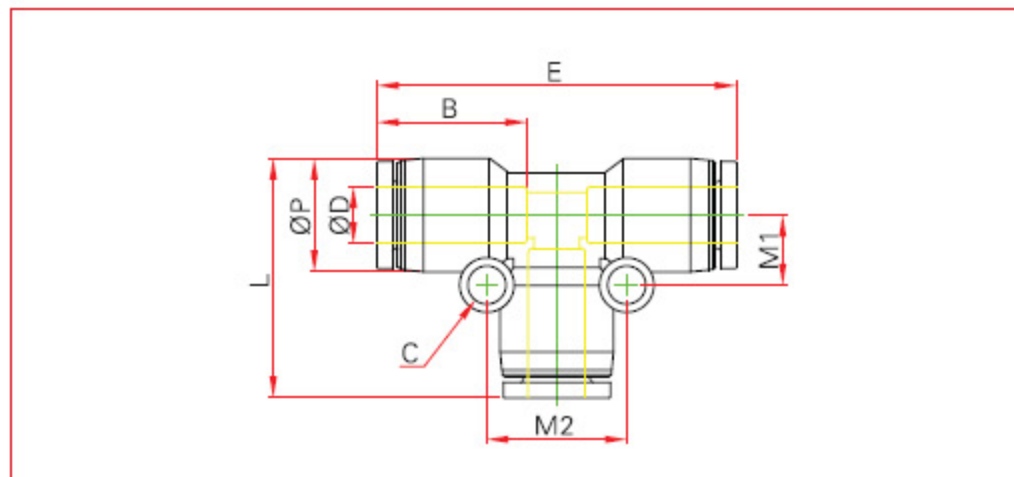


PUT jednoduchá T-spojka



TYP	ØD	E	L	M1	M2	B	ØP	PRŮTOK
PUT-04	4	36.8	24.1	7.2	13.6	15	11	3
PUT-06	6	37.8	25.8	7.8	15.6	15	13	5
PUT-08	8	44.6	29.6	9.1	17.3	18	14.4	6
PUT-10	10	57	37.8	11.8	23.4	22	18.4	8
PUT-12	12	58.6	39.3	14	26.5	22	21	10
PUT-16	16	63.4	44.8	16.5	30.7	24	26	12.5