

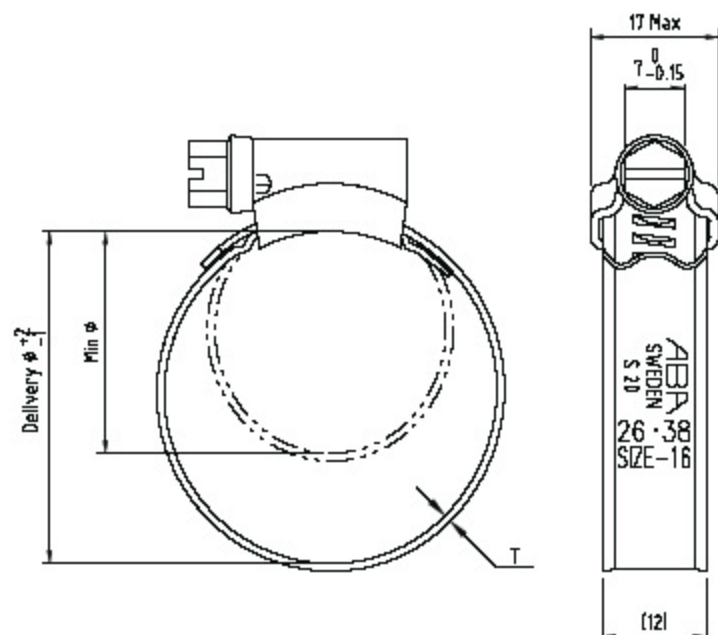
ABA 12 mm Original, Aluzink S20 and Stainless S40(W4)



S20



S40



ABA Original clamps feature an extra strong one-piece pressed housing, rolled-up band edges and a smooth band underside that protects the hose. For added corrosion resistance the band in the 12 mm Standard is made of Aluzink which gives three times the protection offered by conventional galvanized steel. ABA Original – the trouble-free clamp with high tightening force and high breaking torque.

ABA Original Standard-S20: Screw: Electro zinc plated. Band: Aluzink. Housing: Painted.
ABA Original Stainless-S40(W4): All parts in SS 2333/AISI 304 Stainless Steel. For dimensions

Hose size	Minimum Ø	Supplied Ø	Standard T	Stainless T	Rec. tightening torque Nm
15-24	15	25	0.8	0.8	4-5
19-28	19	29			
22-32	22	33			
26-38	26	39			
32-44	32	45	1.0		5-6
38-50	38	51			
44-56	44	57			
50-65	50	66			
58-75	58	76			
68-85	68	86			
77-95	77	96			
87-112	87	113			
106-138	106	139			
132-165	132	166			
150-180	150	181			
175-205	175	206			
200-231	200	232			
226-256	226	257			
251-282	251	283			
277-307	277	308			

Larger sizes available in Torro