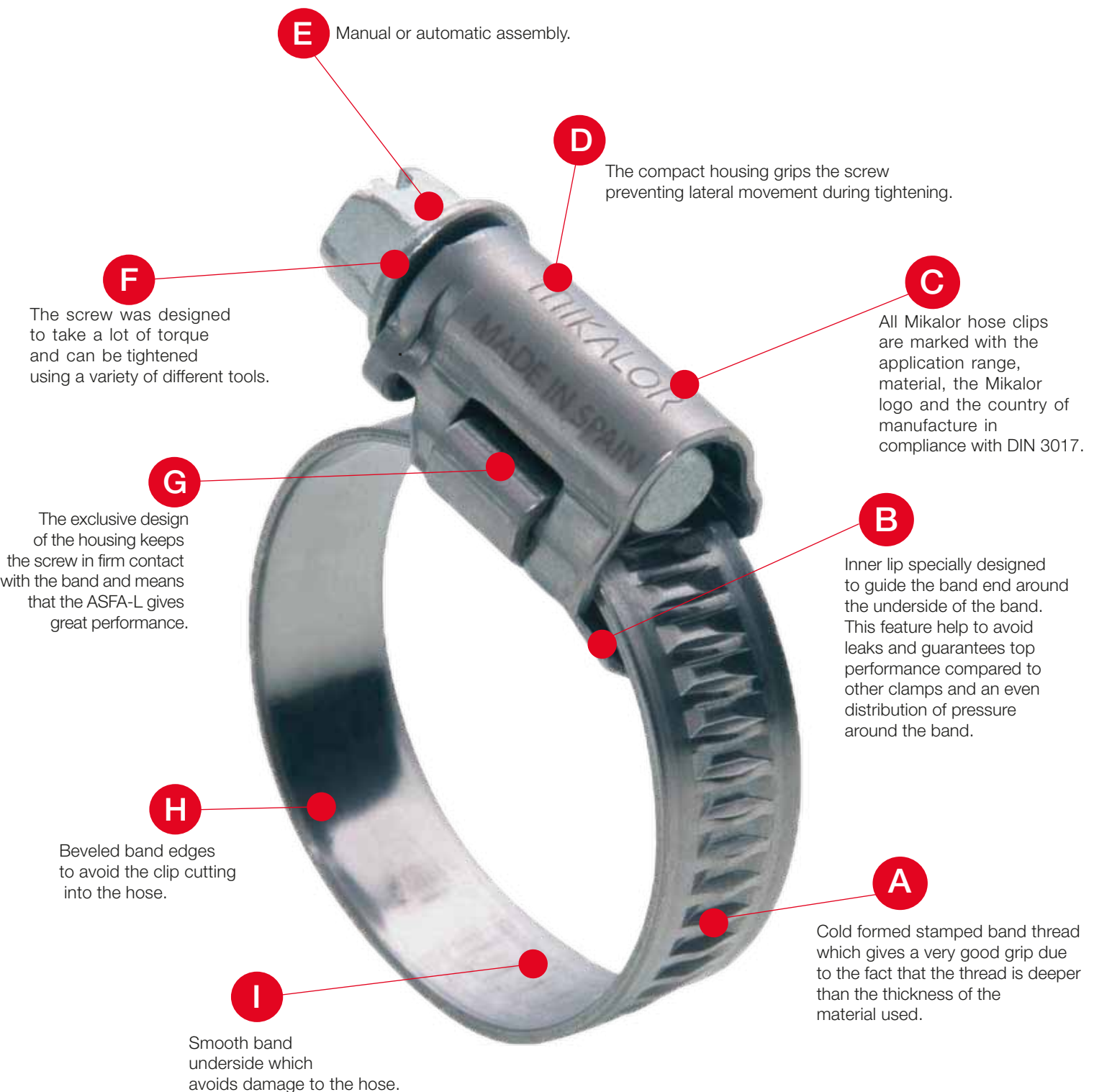


# MIKALOR

## ASFA-L<sup>®</sup>

### worm-drive hose clips



**E** Manual or automatic assembly.

**D** The compact housing grips the screw preventing lateral movement during tightening.

**F** The screw was designed to take a lot of torque and can be tightened using a variety of different tools.

**C** All Mikalor hose clips are marked with the application range, material, the Mikalor logo and the country of manufacture in compliance with DIN 3017.

**G** The exclusive design of the housing keeps the screw in firm contact with the band and means that the ASFA-L gives great performance.

**B** Inner lip specially designed to guide the band end around the underside of the band. This feature help to avoid leaks and guarantees top performance compared to other clamps and an even distribution of pressure around the band.

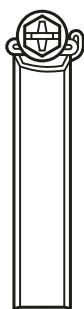
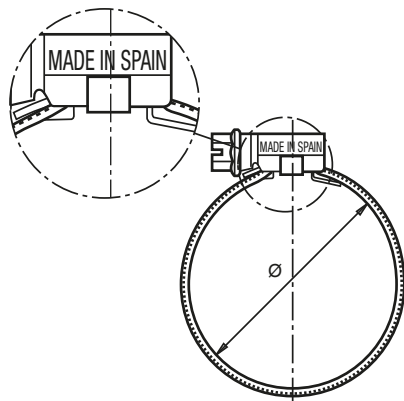
**H** Beveled band edges to avoid the clip cutting into the hose.

**A** Cold formed stamped band thread which gives a very good grip due to the fact that the thread is deeper than the thickness of the material used.

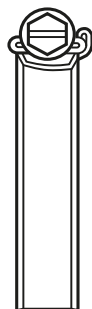
**I** Smooth band underside which avoids damage to the hose.

# Asfa L worm-drive hose clips

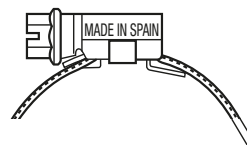
Band 9 mm.



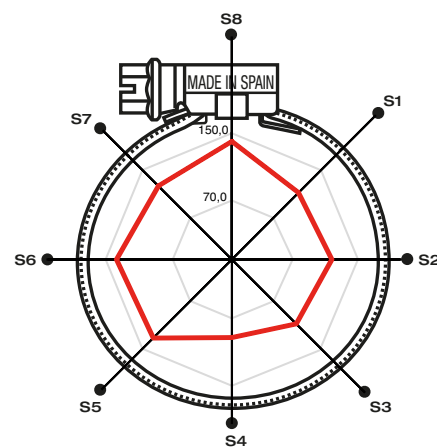
W1 W2



W3 W4 W5



Ø Size		W1	W2	W3	W4	W5
mm	inches					
8-12	5/16-15/32	03008745	03016508		03014000	
8-16	5/16-5/8	03008753	03016516	03016014	03014019	03015759
12-22	1/2-7/8	03008761	03016524	03016022	03014027	03015767
16-27	5/8 - 1 1/16	03008770	03016532	03016030	03014035	03015775
20-32	3/4 - 1 1/4	03008788	03016540	03016049	03014043	03015783
25-40	1 - 1 5/8	03008796	03016559	03016065	03014051	03015804
30-45	1 1/8 - 1 3/4	03008809	03016567	03016073	03014060	03015812
32-50	1 1/4 - 1 7/8	03008817	03016575	03016081	03014078	03015820
40-60	1 5/8 - 2 3/8	03008825	03016583	03016090	03014086	03015839
50-70	1 7/8 - 2 3/4	03008833	03016591	03016102	03014094	03015847
60-80	2 3/8 - 3 1/8	03008841	03016604	03016110	03014107	03015855
70-90	2 3/4 - 3 1/2	03008850	03016612	03016129	03014115	03015863
80-100	3 1/8 - 4	03008868	03016620	03016137	03014123	03015871
90-110	3 1/2 - 4 3/8	03008876	03016639	03016145	03014140	03015880
100-120	4 - 4 1/2	03008884	03016647	03016153	03014158	03015898
110-130	4 3/8 - 5	03008892	03016655	03016161	03014166	03015900
120-140	4 1/2 - 5 1/2	03008905	03016663	03016170	03014174	03015919
130-150	5 - 5 3/4	03008913	03016671	03016188	03014182	03015927
140-160	5 1/2 - 6 1/4	03008921	03016680	03016196	03014190	03015935



## Polar Diagram

● Sectors	S1	S2	S3	S4	S5	S6	S7	S8
— 4 Nm	112,1	118,9	92,8	132,0	137,1	137,1	123,3	140,1

Torque / Efficiency [ Nm / daN ]

## Materials

### W1

**Screw:**  
Qst 36-3 Mild steel  
(DIN 1.0213)  
Silver-white Cr3 Zinc-Plated

**Band and Housing:**  
Galvanized steel  
S/EN 10292 (DIN 1.0935)

This clip is ideal for general industrial applications.

### W2

**Screw:**  
Qst 36-3 Mild steel  
(DIN 1.0213)  
Silver-white Cr3 Zinc-Plated

**Band and Housing:**  
X6Cr17 Stainless steel  
(DIN 1.4016) (AISI-430)

This clip is very popular in the hardware and domestic markets and in automotive applications.

### W3

**Screw:**  
AISI 430 Stainless steel

**Band and housing:**  
Stainless steel  
X6Cr17 (DIN 1.4016)  
(AISI-430)

ASFA LW3 is specially recommended for use in the automotive industry.

### W4

**Screw:**  
AISI-304 Cu (A2)  
Stainless steel

**Band and Housing:**  
X5CrNi1810  
Stainless steel  
(DIN 1.4301) (AISI-304) (A2)

This clip is ideally for use in the marine industry, due to the corrosion resistance offered by the use of AISI-304 stainless steel in its manufacture.

### W5

**Screw:**  
AISI-316 Cu Stainless steel (A4)

**Band and Housing:**  
X5CrNiMo 17.12.2  
Stainless steel (DIN 1.4401)  
(AISI-316) (A4)

This clip is ideally for use in the petrochemical, foodstuffs and marine industry due to the outstanding corrosion resistance offered by the use of AISI-316 stainless steel in its manufacture

\* The maximum application pressure can vary depending on the type of hose used and the geometry of the coupling.

Patented Worldwide.



**MIKALOR**