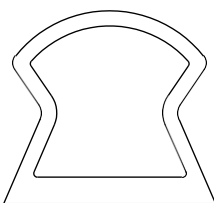
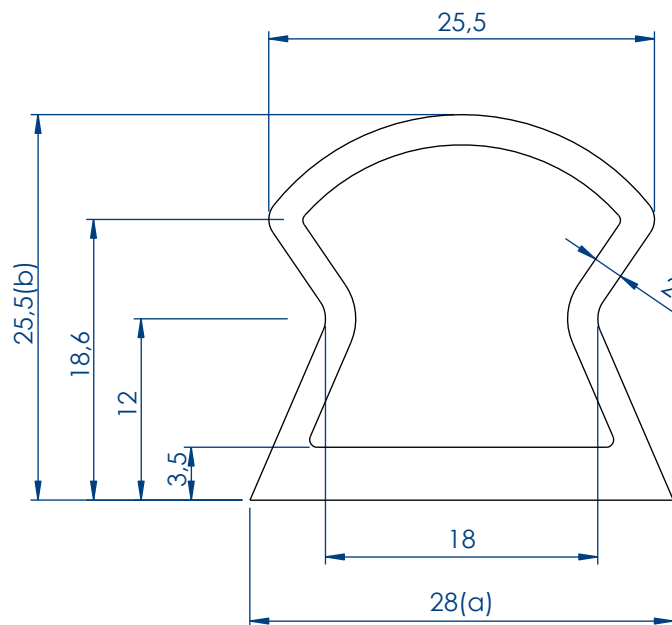
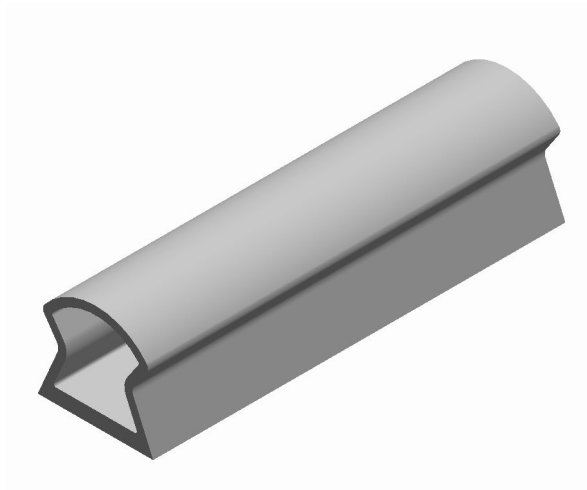


Rev.	Date	Checked	Description
------	------	---------	-------------



SCALE 1:1

a	28
b	25.5
c	

The information contained in this drawing is the sole property of GMS hadice.

Tolerances: ISO-3302-1:2014 CLASSE2			Dim.: 28x25,50mm	Material/Aditive: VMQ SILICONE		
			Weight: 271.2 g/m			
	Date	Name	Area:	Hardness: 60 Sh A ±5		
Designed	02/10/2023	K. Fabián	OF:	Color: Signal white RAL 9003		
Verified	02/10/2023	P. J.	File Name: OF95446C			
Approved	02/10/2023	Tovtik	Customer Ref.:			
Production			Title:			
Quality			Ref.:			
			<b>OF95446C</b>			
					Scale: <b>2:1</b>	
			Format: A4	Sheet: 1/1		