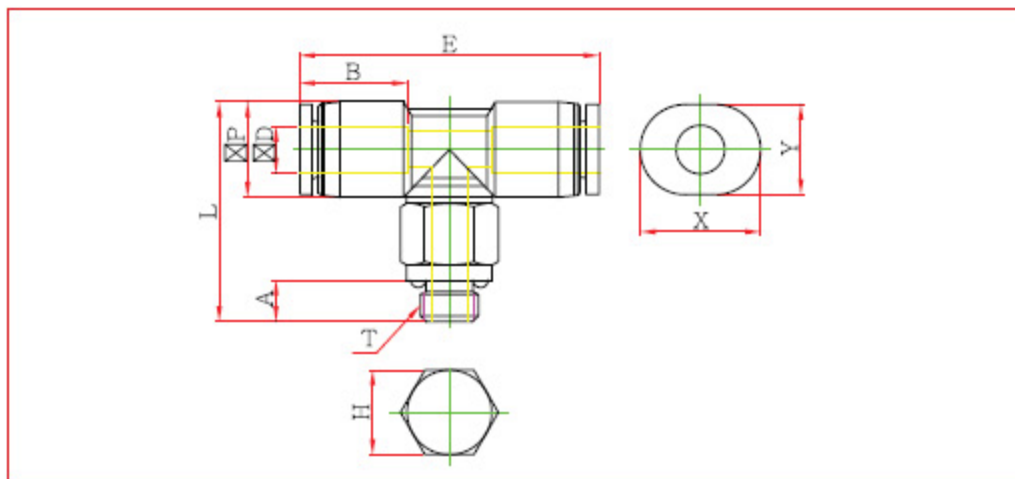


PT

T-spojka s vnějším závitem



TYP	ØD	ØP	T	L	E	A	B	H	X	Y	PRŮTOK
PT 03M3C	3	7.6	M3XP0.5	18.5	26.6	3.0	11.1	8	9.2	7.2	1.5
PT 03M5C	3	7.6	M5XP0.8	19.1	26.6	3.6	11.1	8	9.2	7.2	2.4
PT 03M6C	3	7.6	M6XP1.0	19.6	26.6	4.1	11.1	8	9.2	7.2	2.4
PT 04M3C	4	8.7	M3XP0.5	19.6	28.6	3.0	11.6	8	10.4	8.2	1.5
PT 04M5C	4	8.7	M5XP0.8	20.2	28.6	3.6	11.6	8	10.4	8.2	2.5
PT 04M6C	4	8.7	M6XP1.0	20.7	28.6	4.1	11.6	8	10.4	8.2	2.5
PT 0401C	4	8.7	R1/8	20.7	28.6	6.0	11.6	10	10.4	8.2	2.5
PT 06M5C	6	10.8	M5XP0.8	22.3	31.0	3.6	12.6	8	12.4	10.2	2.5
PT 06M6C	6	10.8	M6XP1.0	22.8	31.0	4.1	12.6	8	12.4	10.2	2.5
PT 0601C	6	10.8	R1/8	22.8	31.0	8.0	12.6	10	12.4	10.2	2.5