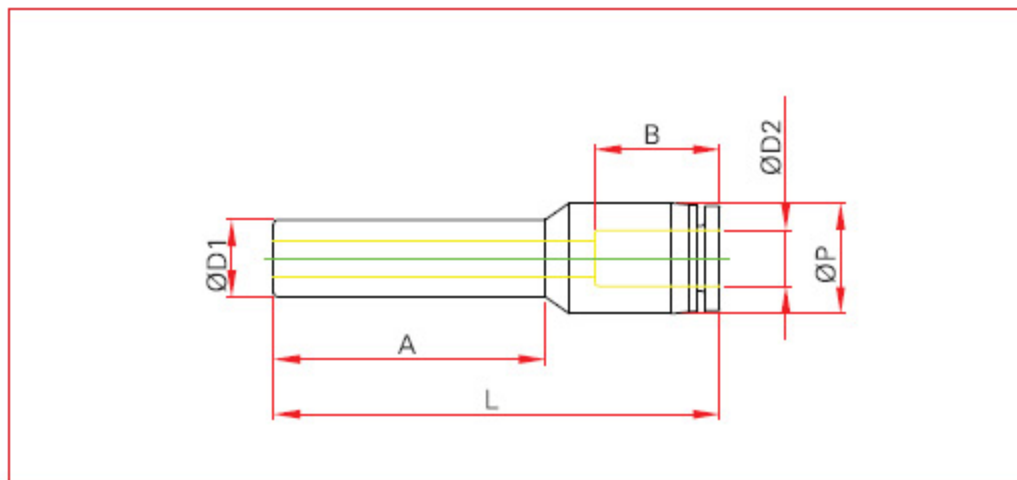


PGJ redukce spojky



TYP	ØD2	A	L	ØP	ØD1	B	PRŮTOK
PGJ-04-06	4	21.7	36.5	11	6	15	2.8
PGJ-04-08	4	22	37	11	8	15	2.8
PGJ-06-08	6	22.7	41.6	13	8	15	5
PGJ-06-10	6	24.7	43.6	13	10	15	5
PGJ-06-12	6	26.7	45.6	13	12	15	5
PGJ-08-10	8	27.7	46.6	14.4	10	18	7
PGJ-08-10	8	28.7	47.6	14.4	12	18	7
PGJ-10-12	10	30	52	18.4	12	22	9